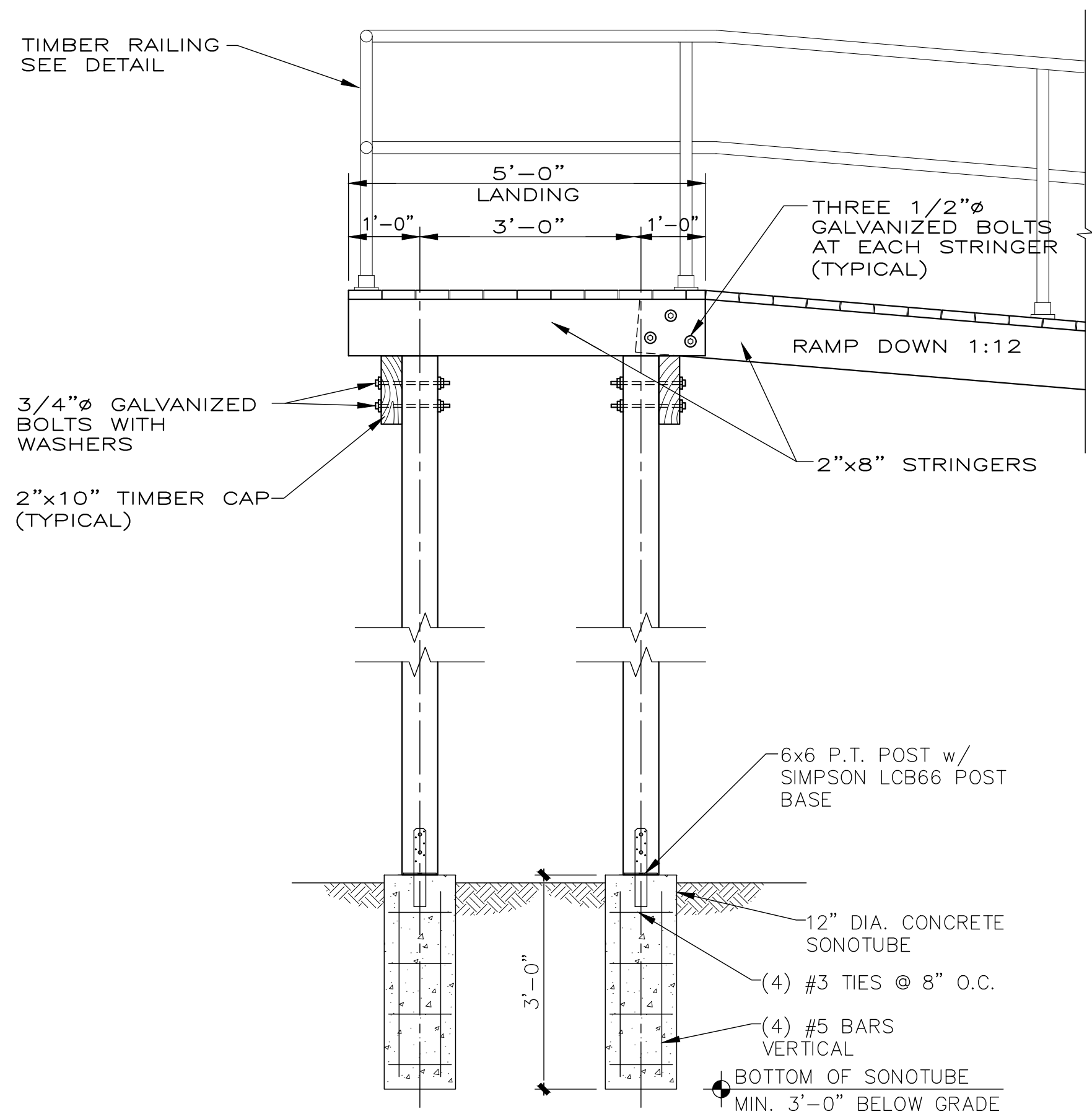
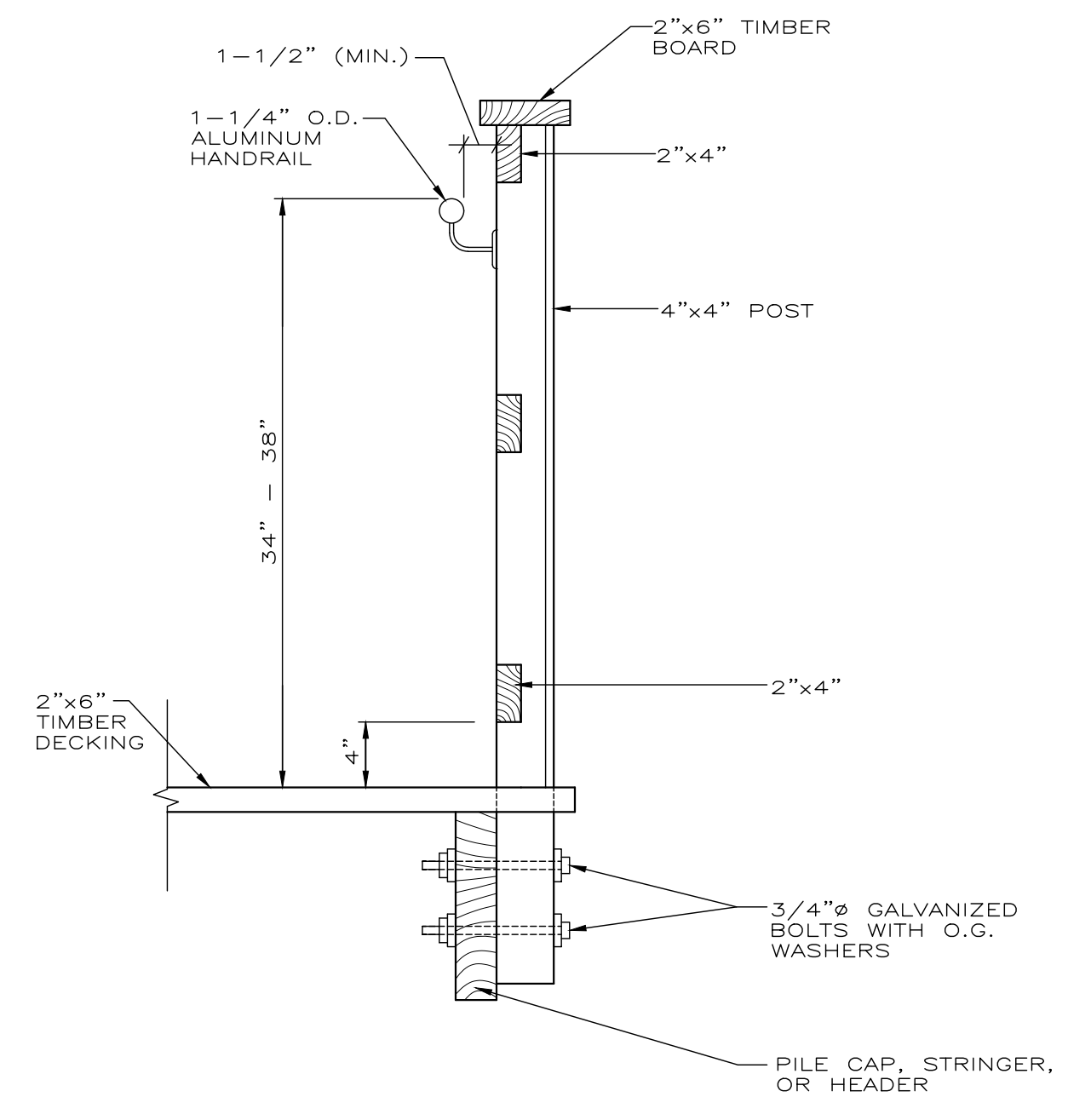


SECTION A-A
N.T.S.

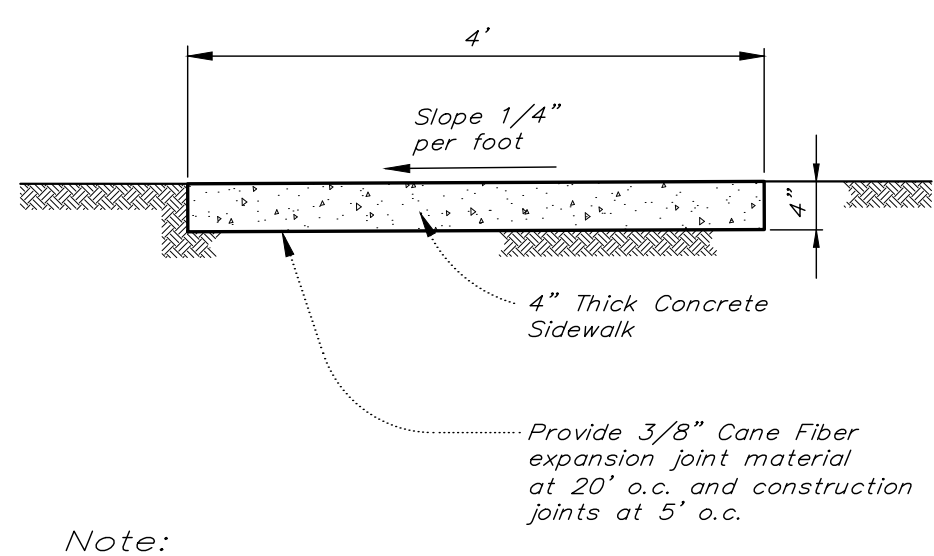


SECTION B-B
N.T.S.




COURT ACCESS RAMP HANDRAIL DETAIL
N.T.S.

NOTES:
ALL TIMBER MATERIALS SHALL BE SCREWED NOT NAILED
ALL SCREWS SHALL BE STAINLESS STEEL



CONCRETE SIDEWALK DETAIL
NOT TO SCALE

 <p>LEON S. AVAKIAN, INC. Consulting Engineers 788 WAYSIDE ROAD NEPTUNE, NEW JERSEY 07753 OFFICE: (732) 922-9229 FAX: (732) 922-0044</p>	BOROUGH OF SEA GIRT					
	PLATFORM TENNIS COURT CONSTRUCTION					
<p>PETER R. AVAKIAN, P.E. PROFESSIONAL ENGINEER N. J. LIC. NO. 28142</p> <p>PRELIMINARY</p> <p>DAËTE</p>	LOCATED AT CRESCENT PARK IN THE BOROUGH OF SEA GIRT, MON. CO., N.J.					
	SCALE As Shown	DATE Jan. 4, 2022	DRAWN BY L.P.C.	CHECKED P.R.A.	JOB NO. SG 21-13	SHEET 3 of 3